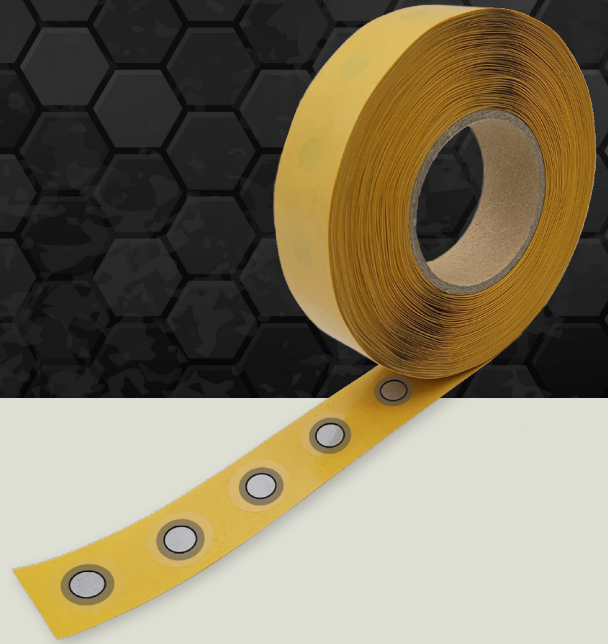


reaPoint standard



Our REATEC reaPoint standard temperature indicators are based on a self-adhesive plastic carrier, which is protected by a PET film. To achieve a fast and accurate response time, even within a difficult surrounding environment, the measuring points are covered.

This indicator is characterized by its water and oil repellency, strength, high density, for the fastest possible response time. The indicators are supplied on rolls and are designed for automated application and high volumes.

Temperature measuring point in use:

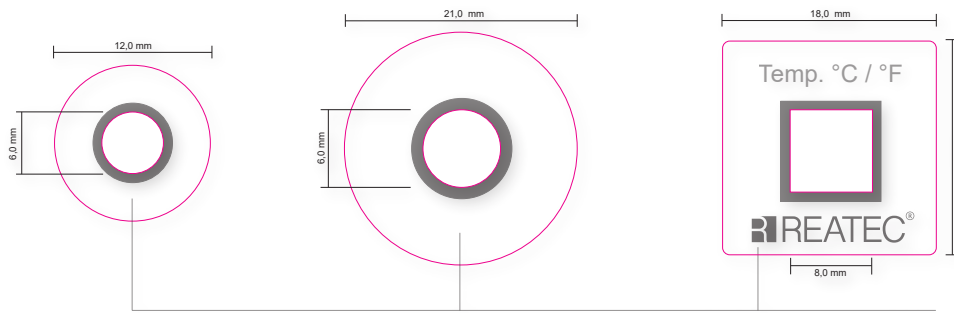
Our temperature measuring points are supplied on rolls. They are very easy to apply on the desired measuring object and are highly adhesive even under strong external loads.

As soon as the specified temperature is exceeded, the temperature measuring point will change color within 1 to 2 seconds.

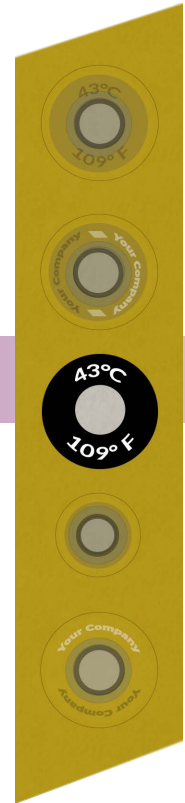
The color change is irreversible; once the temperature is exceeded, the temperature measuring points do not change back to the original color, even if the temperature drops again. Critical temperature fluctuations will be indicated even after a long time period e.g., during storage and transportation.

REATEC AG

reaPoint standard



Your company name/logo
can appear here.



product examples

| product number | temp. °F |
|-----------------------------|----------|
| 037.PSP.21.XXX ¹ | 100 |
| 040.PSP.21.XXX ¹ | 104 |
| 043.PSP.21.XXX ¹ | 110 |
| 046.PSP.21.XXX | 115 |
| 049.PSP.21.XXX | 120 |
| 054.PSP.21.XXX | 130 |
| 058.PSP.21.XXX | 136 |
| 060.PSP.21.XXX | 140 |
| 062.PSP.21.XXX | 143 |
| 064.PSP.21.XXX | 147 |
| 065.PSP.21.XXX | 149 |
| 068.PSP.21.XXX | 155 |
| 071.PSP.21.XXX | 160 |
| 075.PSP.21.XXX | 167 |

| product number | temp. °F |
|----------------|----------|
| 077.PSP.21.XXX | 170 |
| 079.PSP.21.XXX | 174 |
| 080.PSP.21.XXX | 176 |
| 082.PSP.21.XXX | 180 |
| 088.PSP.21.XXX | 190 |
| 090.PSP.21.XXX | 195 |
| 093.PSP.21.XXX | 200 |
| 096.PSP.21.XXX | 205 |
| 099.PSP.21.XXX | 210 |
| 102.PSP.21.XXX | 215 |
| 104.PSP.21.XXX | 220 |
| 108.PSP.21.XXX | 225 |
| 110.PSP.21.XXX | 230 |
| 114.PSP.21.XXX | 237 |

| product number | temp. °F |
|----------------|----------|
| 116.PSP.21.XXX | 240 |
| 121.PSP.21.XXX | 250 |
| 127.PSP.21.XXX | 260 |
| 132.PSP.21.XXX | 270 |
| 138.PSP.21.XXX | 280 |
| 143.PSP.21.XXX | 290 |
| 149.PSP.21.XXX | 300 |
| 154.PSP.21.XXX | 310 |
| 160.PSP.21.XXX | 320 |
| 166.PSP.21.XXX | 330 |
| 171.PSP.21.XXX | 340 |
| 177.PSP.21.XXX | 350 |
| 182.PSP.21.XXX | 360 |
| 188.PSP.21.XXX | 370 |

| |
|--|
| material |
| plastic |
| measuring point |
| 1 |
| protected |
| yes |
| dishwasher suitable |
| no |
| accuracy |
| 1% above 212°F +/- 34°F below 212°F |
| reaction time |
| 1-2 sec. |
| dimensions |
| 21 mm 12 / 18 mm on request |
| storage conditions |
| kühl, trocken |

¹ temperatures 100 °F - 110 °F store in a refrigerator

- self-adhesive temperature measuring points
- low price
- thin PET protective film
- for use environments with harmful substances e.g., such as water, oils, greases, and solvents
- wide range of temperatures, also customizable
- permanent color change from grey to black when the specific indicator temperatures are exceeded
- process monitoring and cost-effective long-term monitoring on surfaces of any kind